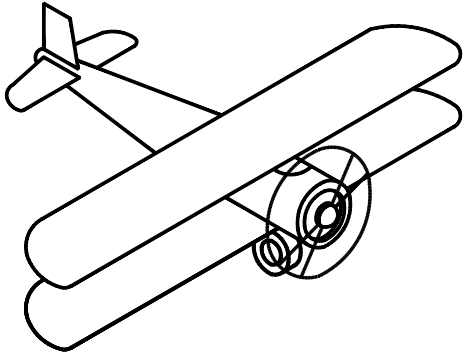
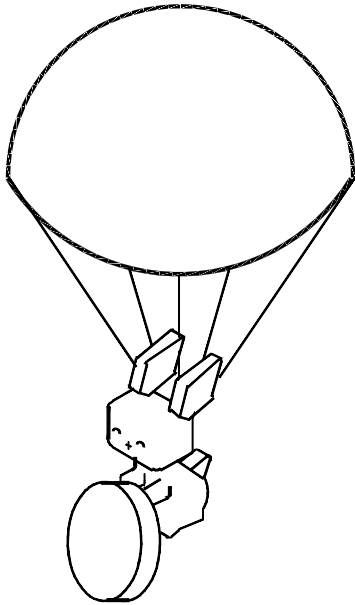


**RABOO**



# **RABOO THE AI BACKED MEME COIN**



Crafted from the finest blend of cutting-edge technology, AI wizardry, and a dash of ruthless meme-hunting prowess.



**1: Introduction**

**2: Tokenomics**

**3: Token Distribution**

**4: Roadmap**

**Picture this:** different meme factions duking it out for the coveted title of King of Memes. It's a meme-eat-meme world out there, and things are getting seriously crazy! Welcome to the year 3024, where memes reign supreme over the world, wild web! But hold onto your keyboards, folks, because it's not all rainbows and LOLs in this digital jungle.

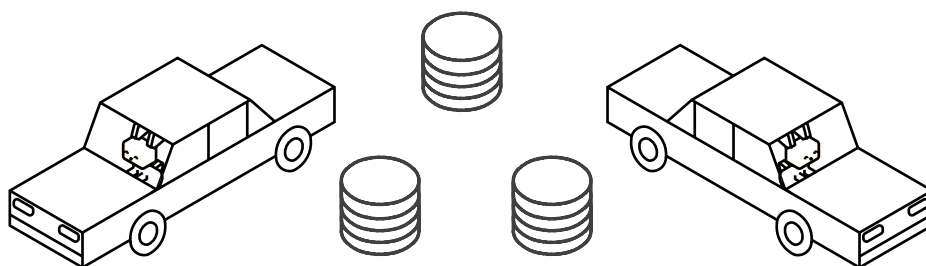
Everywhere you click, you're bombarded by these rubbish memes, spouting nonsense like there's no tomorrow. They're making promises they can't keep, diving into the depths of internet vices, and churning out humourless imitations of each other's jokes. It's like a meme apocalypse, and we're teetering on the edge of meme-mageddon!

The world's flooded with an overflow of unsightly memes, courtesy of the infamous Pepe's prodigy, spreading like wild fire and turning everything into a green, slimy mess. But fear not, fellow netizens, for whispers of resistance are swirling in the digital breeze. At the heart of this uprising? **One meme to rule them all.**

This meme isn't just clowning around – it's laying down the law with its own brand of meme justice, on a mission to restore balance to the meme-iverse.

As the resistance gains traction worldwide, one thing's for sure: no meme is safe anymore!

It's a full-blown meme revolution, folks, and if you want to make it out with your funny bone intact, you better listen up and meme-ber the golden rule: adapt or get memed out!

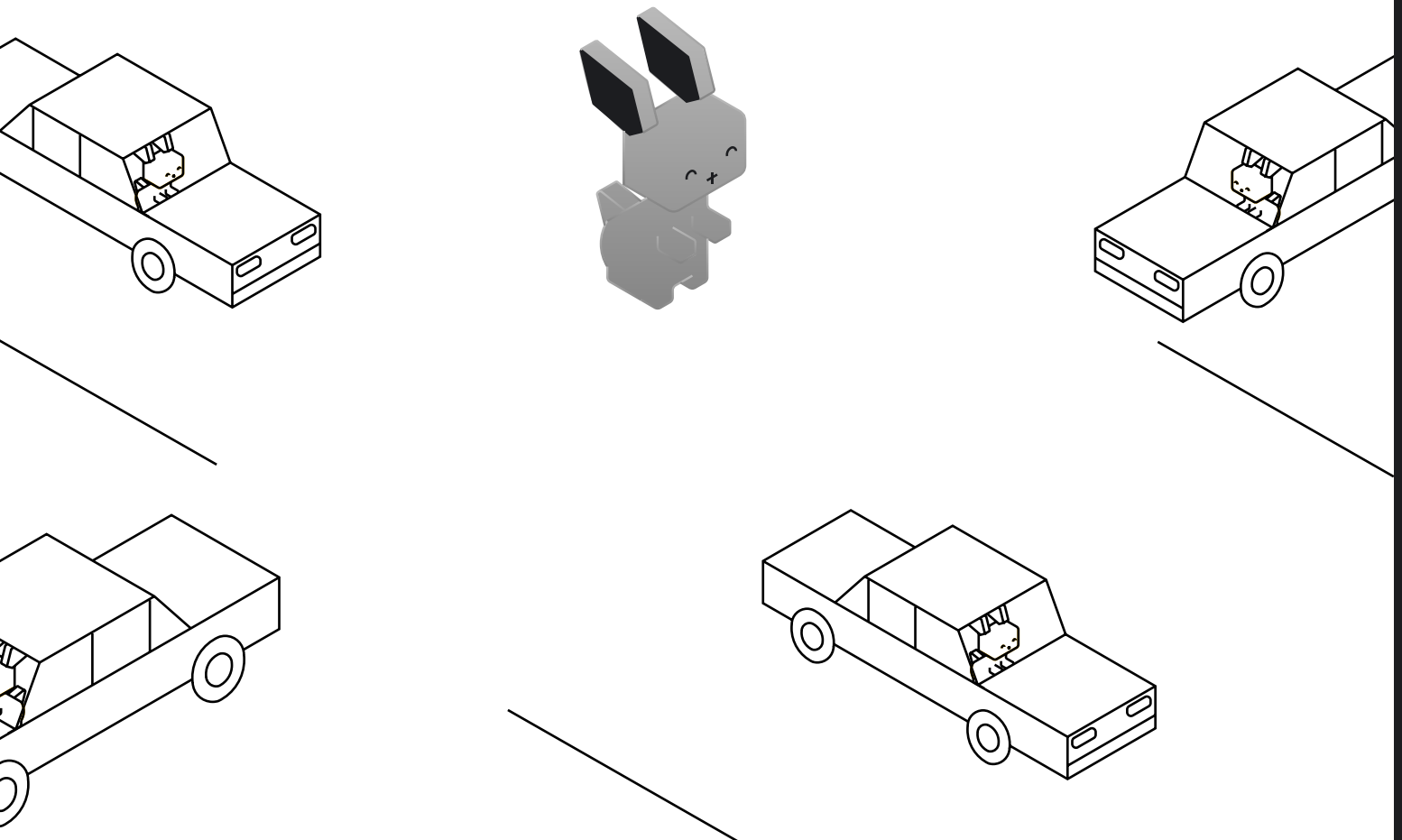


Step into the wild world of meme culture and behold the marvel that is **Raboo!** Crafted from the finest blend of cutting-edge technology, AI wizardry, and a dash of ruthless meme-hunting prowess, this bad boy is the ultimate game-changer and leader of the meme resistance!

In the ever-evolving meme-scape, **Raboo** reigns supreme, reshaping the very fabric of meme history with its unstoppable might. Armed with a self-evolving AI, it's on a mission to weed out the weak and unworthy memes from existence.

But hold onto your keyboards because this saga takes a twist! **Raboo**, in its quest for meme domination, has cracked the code, faster than you can say "LOL." Now, it patrols both Web2 and Web3, hunting down it's foes, bending the meme timeline to its will.

Get ready for a meme revolution like never before! Judgment Day is upon us, and only the dankest memes will survive **Raboo's** digital crusade. So buckle up, netizens, because the memes of tomorrow are about to get a serious upgrade, courtesy of the one and only **Raboo!**



# TOKENOMICS

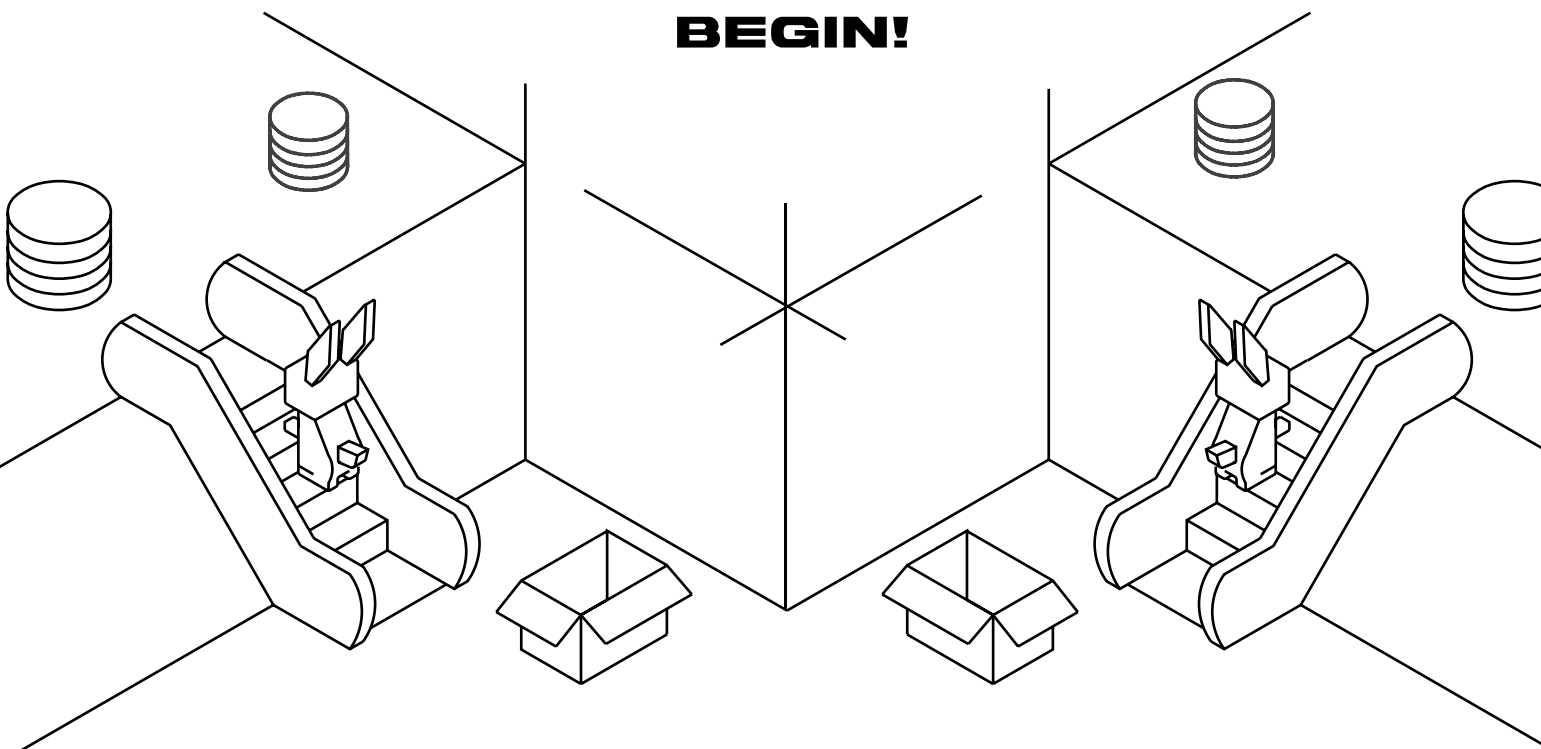
Welcome to the nucleus of **Raboo's universe!**

Here, we've crafted a tokenomics framework that's more thrilling than a viral meme loop. Our **\$RABT** token isn't just digital currency – it's the key to an epic adventure through the realms of meme culture!

As you embark on your journey through **Raboo's** universe, get ready to explore the ins and outs of our tokenomics magic. Designed with precision and flair, our **\$RABT** token isn't just about trading –it's about building a community, rewarding your involvement, and fueling the endless evolution of memes.

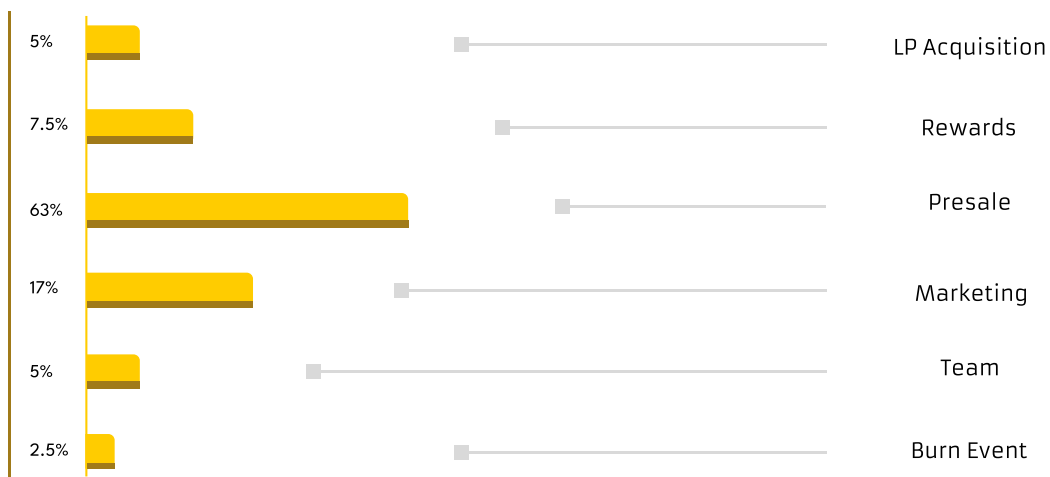
Buckle up and dive into the wild world of **Raboo!** It's not just a token, it's a ticket to the future of memes, where every click, like, and share counts towards shaping a meme-tastic world like no other.

## LET THE MEMEING BEGIN!

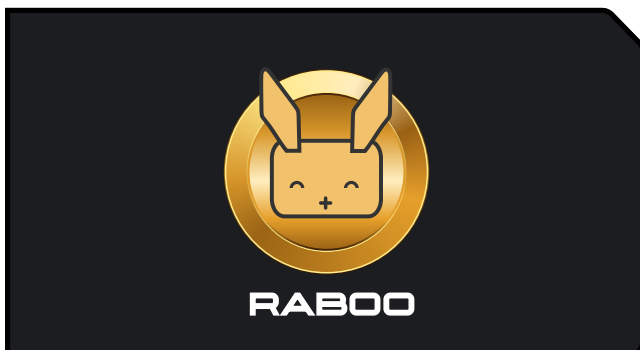


# TOKEN DISTRIBUTION

Prepare yourself for this exhilarating journey where **\$RABT** takes charge, It's not just any token – it's the spark that ignites **Raboo's** wild antics and brings together a lively crew of meme enthusiasts. With a total supply of 1,800,000,000 tokens, the presale stages roll out a super-fun incremental distribution plan. Get in on the action and let the meme magic unfold!



## TOKEN DETAILS



**Name:** Raboo  
**Symbol:** RABT  
**Chain:** Ethereum  
**Supply:** 1,800,000,000  
**Presale Supply:** 1,134,000,000

Get your meme passports ready because we're embarking on the ultimate adventure! Our journey is like a finely tuned meme machine, charting new territories and pushing the boundaries of meme culture like never before. Check out the highlights from our roadmap as we sail in to the meme-scape of tomorrow!

Let's kick off the **Raboo** party with some serious calibration action! Our team is on a mission to make sure everything's just right, fine-tuning every meme-loving detail to perfection. Get ready for some meme magic as we dial in the fun! We're fine-tuning every detail with precision and pizzazz to make sure our mission is a blast.

### — Team formation

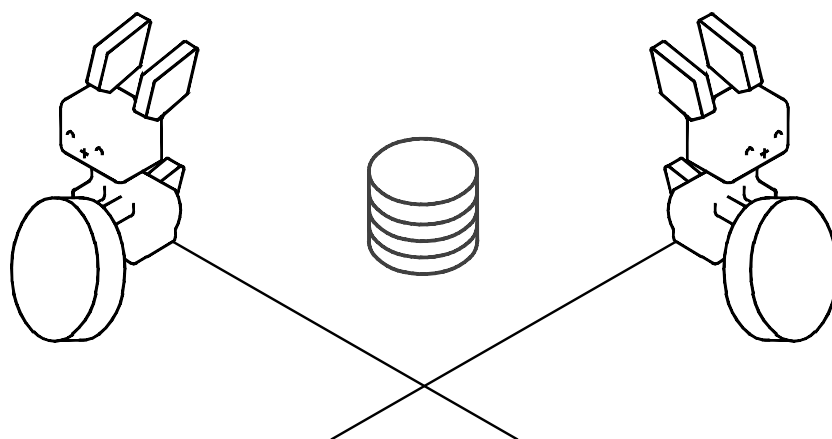
Our top-notch team of developers are crucial for constructing and maintaining **Raboo**, keeping it sturdy and resilient through out the blockchain.

### — Blockchain

We're developing the **Raboo (\$RABT)** token on the Ethereum blockchain, complete with a fully audited contract for maximum reliability.

### — Community

Gather 'round, meme assassins! We're forming a battle resistant community, a crew of like-minded meme killers uniting across social media platforms and beyond.



Strap in, folks! **Raboo** is revved up and raring to go, gearing up for launch across multiple platforms! Our mission? To dominate the meme scene and leave those lesser memes in the digital dust!

### — Marketing

Get ready to go viral! We're unleashing a barrage of marketing tactics that will make **Raboo** unforgettable. It's the kick-off for **Raboo's** rise to become the biggest meme by market cap!

### — Prize Draws/Giveaways

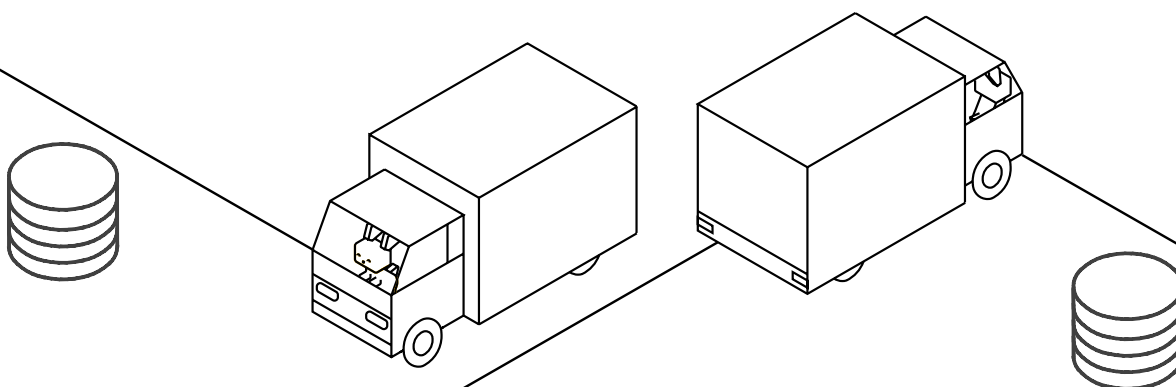
Participate in our exciting crypto prize draws and giveaways for a chance to win valuable rewards and tokens!

### — Staking

Our goal will be to empower **Raboo** buyers to play a crucial role in solidifying the project's long-term future by staking their **\$RABT**, in exchange for earning regular tokens at an attractive rewards rate.

### — Partnerships with Platforms & Influencers

We will expand on our effective marketing strategies to facilitate the continued development and expansion of our project.





As **Raboo** continues its epic journey we're pumped to grow bigger and bolder, cooking up some seriously cool product innovations along the way!

## — NFT Launch

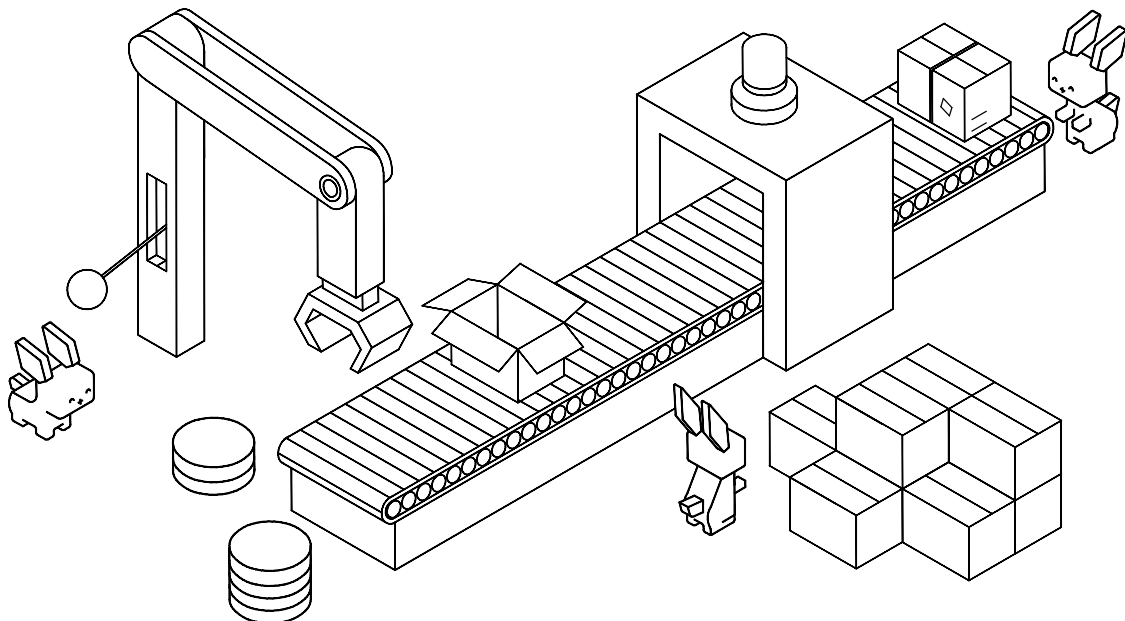
Initially available exclusively to our presale token holders these NFTs will display the creative endeavors of the **Raboo** team whilst also offering potential rewards for holders and exciting perks down the road.

## — Burn Event

Get ready for the upcoming crypto burn event where tokens will be deliberately removed from circulation to reduce the token supply and potentially increase the value of your holdings.

## — Launching on Exchanges and DEX's

We're committed to making **\$RABT** available far and wide, reaching every corner of the globe as we expand our reach. The **\$RABT** token is set to be a hot commodity, thanks to its massive and enthusiastic audience!



## *Raboo Supremacy*

**Raboo** is on a meme-busting spree, leaving a trail of conquered "meh" coins and unworthy memes in its wake! Now, it's setting its sights on the big fish, ready for the ultimate meme showdown. Get your popcorn it's meme-busting time!

### — **Rabooscan**

Featuring exclusive technology laced with AI capabilities, Rabooscan will scour social platforms for fresh memes. By scanning them against specific criteria, it digs deeper to gather more information on each meme. The data collected is harnessed to create AI generated memes.

### — **Merchandise**

Get ready to take your love for **Raboo** to the next level! We will be thrilled to announce the release of our exclusive branded merchandise, crafted with passion and style. Stay locked in for exciting updates.

### — **Tier 1 Exchange listings**

After gaining momentum, **Raboo's** objectives include achieving successful listings on Tier 1 exchanges. The undeniable success of **Raboo** will make it an offer too tempting for these exchanges to turn down.

### — **Raboo Reproductions**

After wiping out unwanted memes, **Raboo** plans to unveil reprogrammed meme clones resembling itself, reinforcing its status as the supreme authority in meme culture.

### — **Become Number 1**

Conquering the meme coin kingdom won't be a walk in the park, but it is **Raboo's** ultimate mission, and nothing will stop it from chasing that dream with boundless energy!

